

**结构特点 Design features**

- 内装、单端面、多弹簧、平衡型、紧定螺钉结合拨叉传动结构，任意旋向，可承受高扭力驱动；
- 部分静环借用SA形式，另静环还可配SEB形式。
- Internally mounted, single face, multiple springs, balanced structure and driven by screws and claw transmission, any rotation direction, high torque drive.
- All style "SEB" seat ring and part of style "SA" seat ring can be used as mating ring of this rotary unit.

**适用范围 Operating limits**

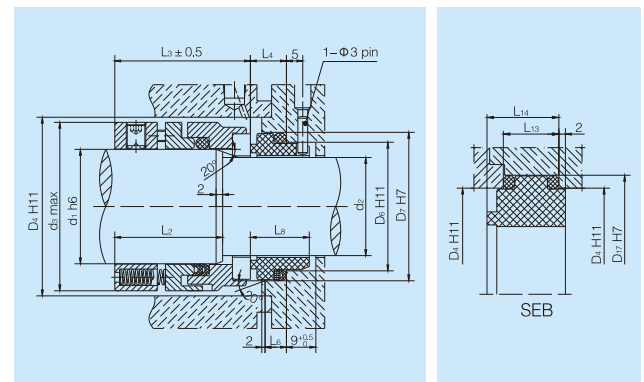
- 压力 Pressure: 0~2.5MPa
- 温度 Temperature: -20~180°C(Rubber O-ring)  
-40~230°C(PTFE V-Packing)
- 线速度 Speeds: ≤25m/sec

**材料 Materials(to DIN24960)**

- 旋转环 Rotary Ring: U12、U22、Q2、Q22
- 静止环 Stationary Ring: B、U12、U22、Q2、Q22
- 辅助密封 Auxiliary Seal: P、V、T1
- 弹簧及其他结构件材料 Spring and Other Parts: F、G

**介质 Medium**

油类、水、盐、非结晶性溶剂、有机溶剂及其它弱腐蚀性溶液。  
Oil, water, salt, noncrystalline agent, organic solvents and other weak corrosive fluid.



型号 Model	d1	d2	d3	D4	D6	D7	D17	L2	L3	L4	L6	L8	L13	L14	(L3+L4)	(L3+L14)
CN BMS002-24	24	20	38	40	29	35	46	33	40	13	5	20	18	23	53	63
CN BMS002-26	26	22	40	42	31	37	48	33	40	13	5	20	18	23	53	63
CN BMS002-28	28	24	42	44	33	39	50	33	40	13	5	20	18	23	53	63
CN BMS002-30	30	25	44	46	34	40	52	33	40	13	5	20	18	23	53	63
CN BMS002-33	33	28	47	49	37	43	55	33	40	13	5	20	18	23	53	63
CN BMS002-35	35	30	49	51	39	45	57	33	40	13	5	20	18	23	53	63
CN BMS002-38	38	33	54	58	42	48	64	35	42	13	5	20	20	25	55	67
CN BMS002-40	40	35	56	60	44	50	66	35	42	13	5	20	20	25	55	67
CN BMS002-43	43	38	59	63	50	56	69	35	43	15	5	20	20	25	58	68
CN BMS002-45	45	40	61	65	52	58	71	35	43	15	5	20	20	25	58	68
CN BMS002-48	48	43	64	68	55	61	74	35	43	15	5	20	20	25	58	68
CN BMS002-50	50	45	66	70	57	63	76	36	44	15	5	20	20	25	59	69
CN BMS002-53	53	48	69	73	60	66	79	36	44	15	5	20	20	25	59	69
CN BMS002-55	55	50	71	75	62	68	81	36	44	17	5	20	20	25	61	69
CN BMS002-58	58	53	76	83	65	71	89	37	46	16	5	20	22	28	62	74
CN BMS002-60	60	55	78	85	67	73	91	37	46	16	5	20	22	28	62	74
CN BMS002-63	63	58	81	88	70	79	94	37	46	16	7	23	22	28	62	74
CN BMS002-65	65	60	83	90	72	81	96	37	46	16	7	23	22	28	62	74
CN BMS002-68	68	63	86	93	75	84	99	37	46	16	7	23	24	30	62	76
CN BMS002-70	70	65	90	95	77	86	101	37	46	16	7	23	24	30	62	76
CN BMS002-75	75	70	95	104	83	92	110	37	46	19	7	23	24	30	65	76
CN BMS002-80	80	75	100	109	88	97	115	37	46	19	7	23	25	31	65	77
CN BMS002-85	85	80	105	114	96	105	120	37	46	19	7	23	25	31	65	77
CN BMS002-90	90	85	110	119	101	110	125	39	49	18	7	23	25	31	67	80
CN BMS002-95	95	90	115	124	106	115	130	39	49	18	7	23	25	31	67	80
CN BMS002-100	100	95	120	129	111	120	135	39	49	18	7	23	25	31	67	80